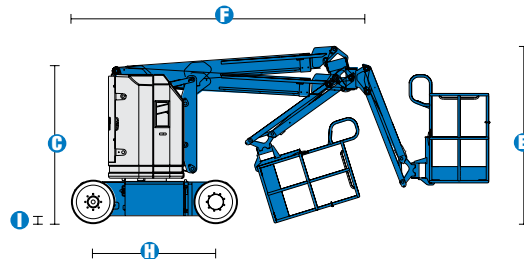
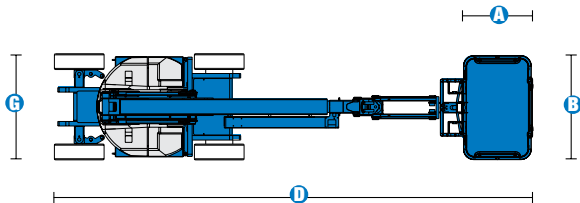


Specifications



MODEL Z™-30/20N RJ

MEASUREMENTS	Metric	US
Working height maximum*	10.89 m	35 ft 2 in
Platform height maximum	8.89 m	29 ft 2 in
Horizontal reach maximum	6.25 m	20 ft 6 in
Up and over clearance maximum	3.86 m	12 ft 8 in
A Platform length	0.76 m	2 ft 6 in
B Platform width	1.19 m	3 ft 11 in
C Height - stowed	2.00 m	6 ft 6.5 in
D Length - stowed	5.31 m	17 ft 5 in
E Storage height	2.24 m	7 ft 4 in
F Storage length	3.66 m	12 ft
G Width	1.19 m	3 ft 11 in
H Wheelbase	1.60 m	5 ft 3 in
I Ground clearance - centre	0.09 m	3.5 in

PRODUCTIVITY

Lift capacity	227 kg	500 lbs
Platform rotation	180°	180°
Vertical jib rotation	139°	139°
Horizontal jib rotation	180°	180°
Turntable rotation	355° non-continuous	
Turntable tailswing	zero	zero
Drive speed - stowed	4.8 km/h	3.0 mph
Drive speed - raised**	1.1 km/h	0.68 mph
Gradeability - stowed***	35%	35%
Turning radius - inside	1.65 m	5 ft 5 in
Turning radius - outside	3.23 m	10 ft 7 in
Controls	24 V DC proportional	
Tyres - solid non-marking	56 x 18 x 45 cm	22 x 7 x 17.75 in

POWER

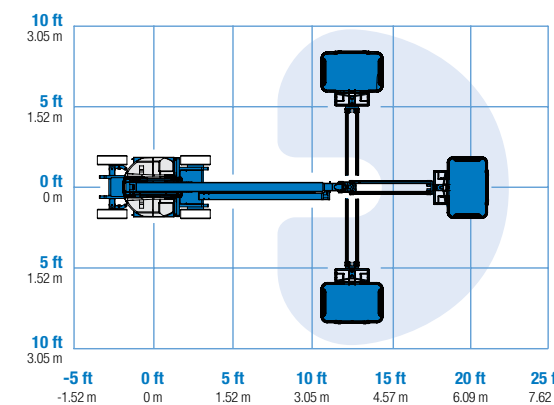
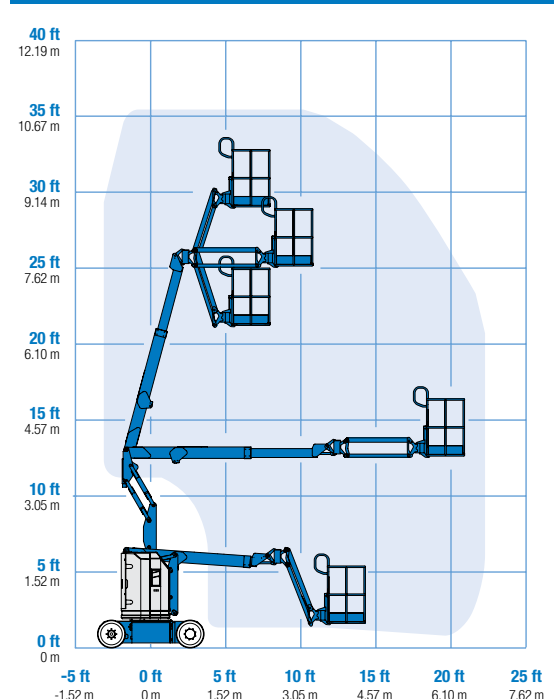
Power source	48V DC (eight 6V batteries 350 Ah capacity)	
Auxiliary power unit	24V DC	24V DC
Hydraulic tank capacity	15.1 L	4 gal

WEIGHT****

	6,622 kg	14,599 lbs
--	----------	------------

STANDARDS COMPLIANCE ANSI A92.5, CSA B354.4, CE Compliance, AS 1418.10

RANGE OF MOTION Z™-30/20N RJ



* The metric equivalent of working height adds 2 m to platform height. U.S. adds 6 ft to platform height.
 ** In lift mode *(platform raised), the machine is designed to operate on firm, level surfaces only.
 *** Gradeability applies to driving on slopes. See operator's manual for details regarding slope ratings.
 **** Weight will vary depending on options and/or country standards.

Features

STANDARD FEATURES

MEASUREMENTS

Z™-30/20N RJ

- 10.89 m (35 ft 2 in) working height
- 6.25 m (20 ft 6 in) horizontal reach
- 3.86 m (12 ft 8 in) up and over clearance
- Up to 227 kg (500 lbs) lift capacity

PRODUCTIVITY

- 1.22 m (4 ft) horizontal rotating jib boom 139° working range
- 1.17 m (3 ft 10 in) steel platform
- 2WD
- Solid rubber non-marking
- Self-leveling platform
- Hydraulic platform rotation
- Fully proportional controls
- Thumb rocker steer
- Drive enable
- Horn
- Hour meter
- Tilt alarm
- Alarm package
- 355° non-continuous turntable rotation
- Zero tailswing and front arm swing
- Sep-Ex drive system
- Dual flashing beacons

POWER

- 48 V DC deep cycle battery pack
- 24 V DC auxiliary power
- Universal 30A battery smart charger

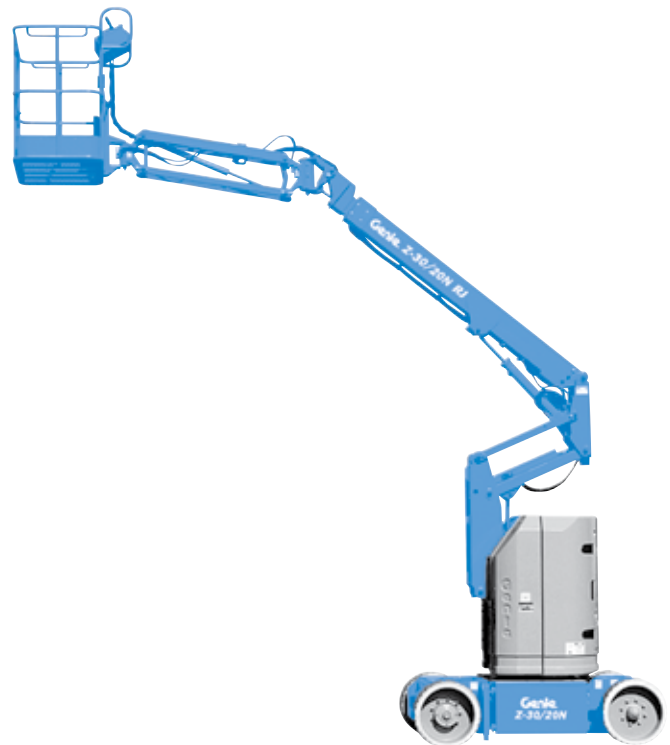
OPTIONS & ACCESSORIES

PRODUCTIVITY

- Platform swing gate
- Half-mesh platform inserts with swing gate
- Air line to platform
- Fire resistant hydraulic oil
- Biodegradable hydraulic oil
- Tool tray
- Fluorescent tube caddy
- Platform work lights
- Lockable platform control box cover
- Front driving lights

POWER OPTIONS

- Battery charge indicator (BCI)
- Low voltage interrupt with BCI
- Retained key selector switch
- 240 V power to platform



Genie Australia – Toll free number 1800 788 633

Brisbane (Head Office)
33 Kimberley Street
Darra QLD 4076

Sydney
74 Glendenning Road
Glendenning NSW 2761

Melbourne
374 Hammond Road
Dandenong VIC 3175

Perth
126 Sheffield Road
Welshpool WA 6106

Genie United States Distributed by:

18340 NE 76th Street
P.O. Box 97030
Redmond, Washington
98073-9730

Effective Date: April 2012. Product specifications and prices are subject to change without notice or obligation. The photographs and/or drawings in this document are for illustrative purposes only. Refer to the appropriate Operators' Manual for instructions on the proper use of this equipment. Failure to follow the Operators Manual when using our equipment or to otherwise act irresponsibly may result in serious injury or death. The only warranty applicable to our equipment is the standard written warranty applicable to the particular product and sale and we make no other warranty, express or implied. Products and services listed may be trademarks, service marks, or trade names of Terex Corporation, Terex South Dakota, Inc., and/or their subsidiaries in the USA and other countries. All rights reserved. Terex is a registered trademark of Terex Corporation in the USA and many other countries. Genie is a registered trademark of Terex South Dakota, Inc. in the USA and many other countries. ©2009 Terex Corporation.